

# Palm Collection

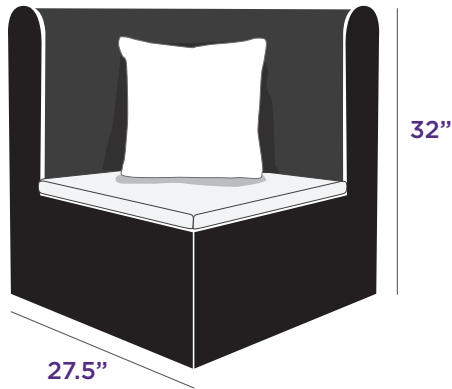
## Furniture Packages



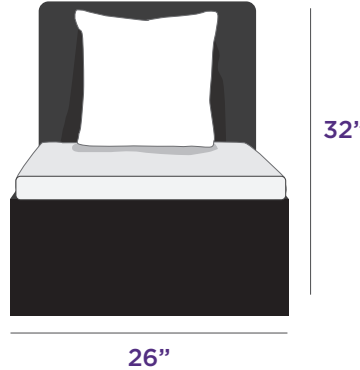
EVENT SOURCE  
PANACHE EVENTS

Indoors or out, pick your Palm and bring people together! The modular units can be arranged to fit your space and cushion color options add variety.\*

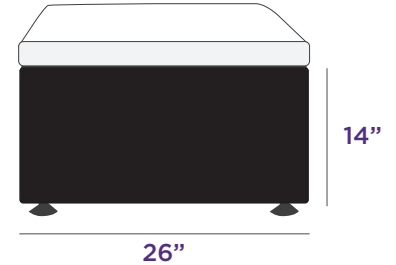
**CORNER**



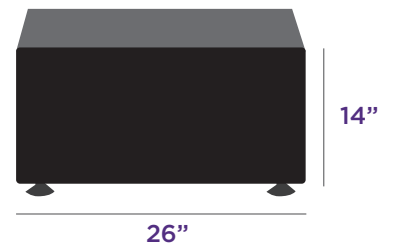
**STRAIGHT**



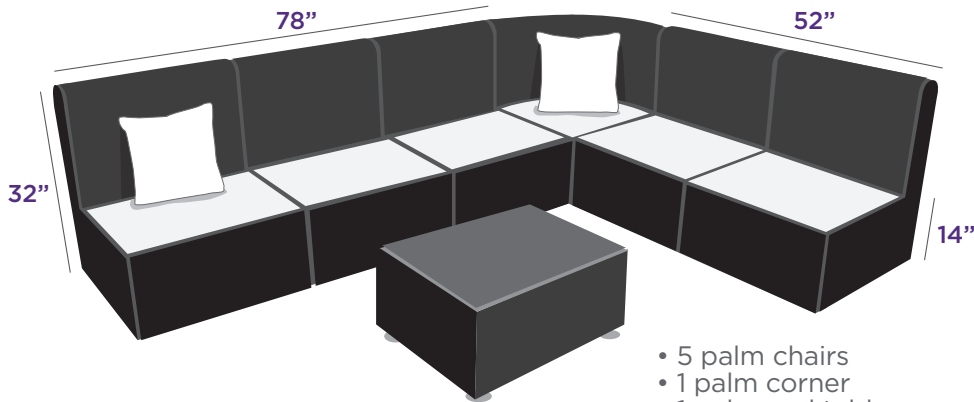
**CUSHION OTTOMAN**



**GLASS TOP END TABLE**

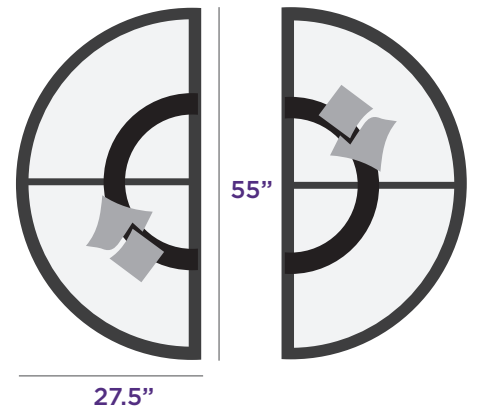


### 7 EASY PALM PIECES

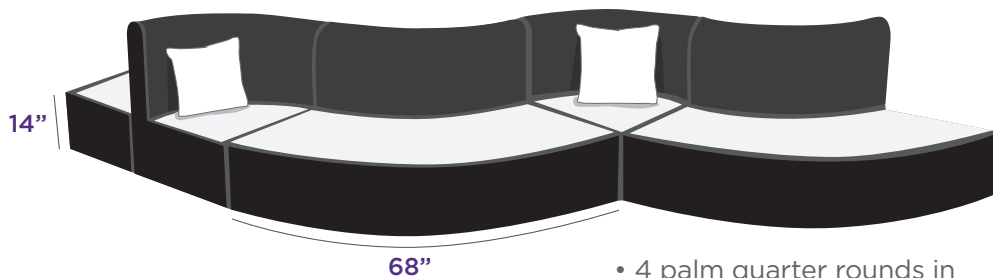


- 5 palm chairs
- 1 palm corner
- 1 palm end table

### QUARTER ROUNDS



### CURVE-A-LINEAR



- 4 palm quarter rounds in choice of color cushion\*
- \*black, gray, white & orange

